

# Brake Lever

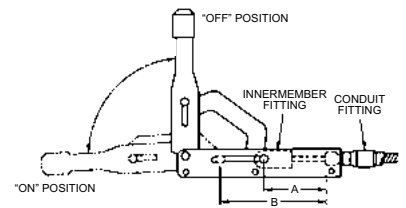
## Over Center Locking Hand Control

Cablecraft® park brake levers offer superior performance, quality and service life to both the designer and user.

- Two distinct lever positions – Over center and off, which are approximately 90° apart
- No ratcheting to limit travel or secondary unlocking required for operation
- Heat-treated 4130 load link provides durability and reliability
- Adjusting knob allows for setting the initial cable tension, travel, and compensates for system wear
- Adaptable with side or flange mount configurations
- Input lever and side plates have an epoxy finish or electro-static paint, and all other components are coated for corrosion resistance
- Optional tamper-resistant knob to inhibit unauthorized adjustment
- Optional weather-resistant switch at the off position
- Supplied with hardware necessary to attach the cable end fittings to the load link
- Loads of up to 1,000 lb.
- Travel range is 2-7/16" maximum

### Material:

- Nylon covered innermember
- Plastic covered conduit
- Stainless steel



1. Dimension A is with the lever in full "OFF" position. Use dimension A in calculating cable length.
2. Dimension B minimum is with the lever in full "ON" position and adjusted for minimum (CCW) travel. Use dimension B minimum during installation and initial adjustment. Turn knob (CW) to add travel and increase brake pressure setting.
3. Dimension B maximum is with the lever in full "ON" position and adjusted for maximum (CW) travel.

Cablecraft® Lever	Innerelement Fitting		Conduit Fitting		Dimension		
	3000 lb	1500 lb	3000 lb	1500 lb	A	B min.	B max.
165-508-008	CS550-2	CS550	073	-	3.23	3.87	5.47
			072	062	3.36	4.0	5.6
165-508-009	CS550-2	CS550	-	-	-	-	-
165-508-010	CS550-2	CS550	073	-	1.7	2.34	3.94
			072	062	1.83	2.47	4.07
165-508-011	CS550-2	CS550	072	062	2.71	3.35	4.95
			073	-	2.27	2.91	4.51
165-508-013	157-047-002	157-047-000	073	-	2.27	2.91	4.51
			072	062	2.4	3.04	4.69
165-508-023	154-047-002	157-047-000	072	062	2.38	3.02	4.62
165-508-028	CS550-2	CS550	075	065	3.14	3.78	5.35
165-508-078	CS550-2	CS550	073	-	1.7	2.34	3.94
			072	062	1.83	2.47	4.07

**Cablecraft®**  
Motion Controls



**Connecting a World  
in Motion**

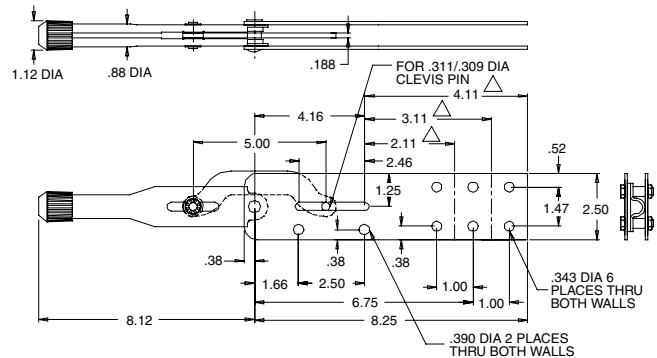
# Brake Lever

## Side Mount 165-508-008

2.5 inches (64mm) wide side plates; one cable, with three alternate sets of cable clamp holes. For cowl, instrument panel, seat riser or frame installation.

**Kit B815** — supplied with the following hardware:

- Clevis pin
- Cotter pin
- Washer
- Mounting spacers (2)
- Cable clamp
- Clamp base
- Clamp spacers (2)

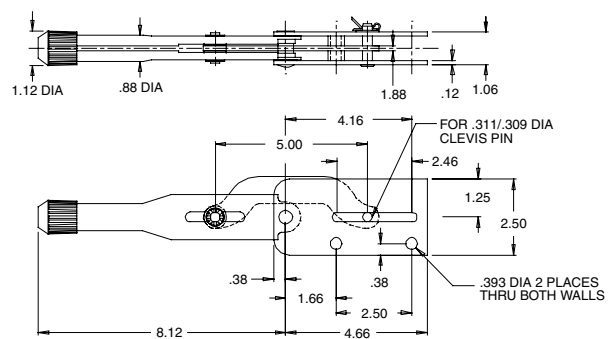


## Side Mount 165-508-009

2.5 inches (64mm) wide side plates; one cable. For cowl, instrument panel, seat riser or frame installation. No cable support.

**Kit B816** — supplied with the following hardware:

- Clevis pin
- Cotter pin
- Washer
- Mounting spacers (2)

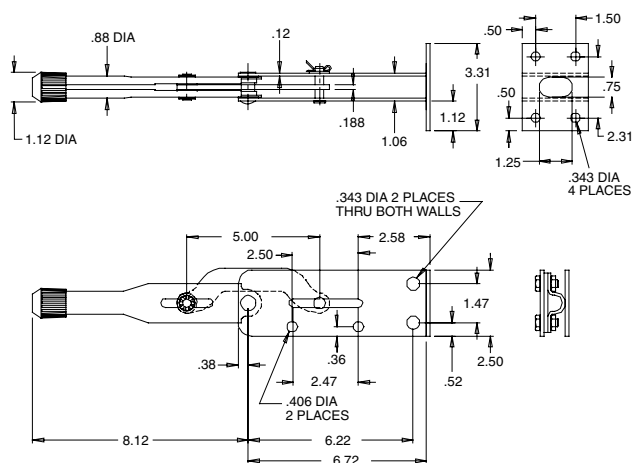


## Flange Mount 165-508-010

2.5 inches (64mm) wide side plates; one cable. For bulk-head floor or island (doghouse) installation. The rigid frame maintains alignment of clevis pin guide slots for improved life of both the pin and side plates.

**Kit B817** — supplied with the following hardware:

- Clevis pin
- Cotter pin
- Washer
- Cable clamp
- Clamp base
- 5/16-24 Bolts (2) nuts (2)

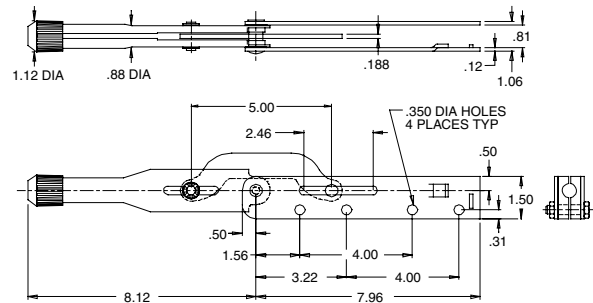


### Side Mount 165-508-011

1.5 inches (38mm) wide side plates; one cable. For cowl, instrument panel, seat riser or frame installation.

**Kit B834** — supplied with the following hardware:

- Clevis pin
- Cotter pin
- Washer
- Mounting spacers (2)
- Cable clamp

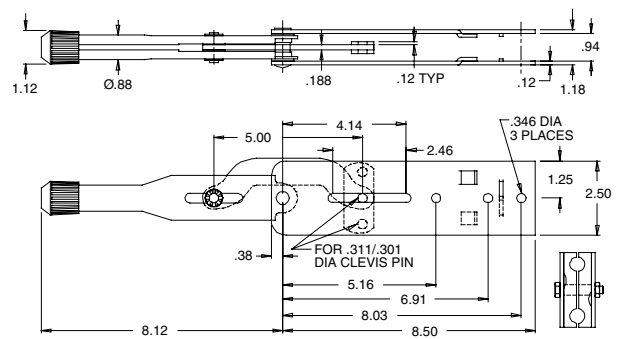


### Side Mount 165-508-013

2.5 inches (64mm) wide side plates; two cables. For cowl, instrument panel, seat riser or frame installation. NOTE: When considering load requirements, the load on the lever assembly will be the sum of the load in each cable.

**Kit B835** — supplied with the following hardware:

- Clevis pins (2)
- Cotter pins (2)
- Washers (2)
- Mounting spacers (2)
- Cable clamps

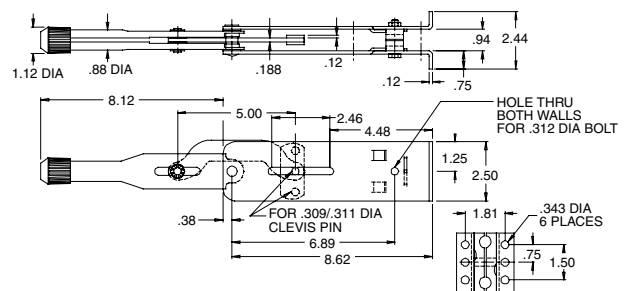


### Flange Mount Rigid 165-508-023

1.5 inches (38mm) wide side plates; one cable. For cowl, instrument panel, seat riser or frame installation.

**Kit B837** — supplied with the following hardware:

- Clevis pin
- Cotter pin
- Washer
- Mounting spacers (2)
- Cable clamp
- Clamp spacers (2)



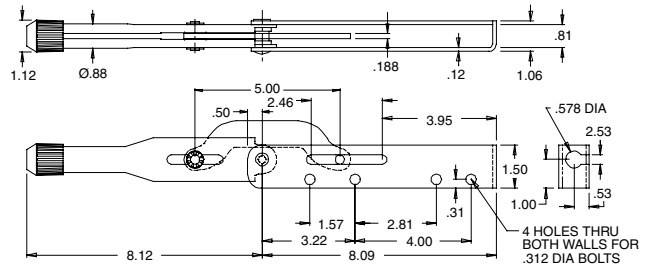
# Brake Lever

## Side Mount 165-508-028

1.5 inches (38mm) wide side plates; one cable.  
For cowl, instrument panel, seat riser or frame installation.

**Kit B837** — supplied with the following hardware:

- Clevis pin
- Cotter pin
- Washer
- Mounting spacers (2)
- Cable clamp
- Clamp spacers (2)

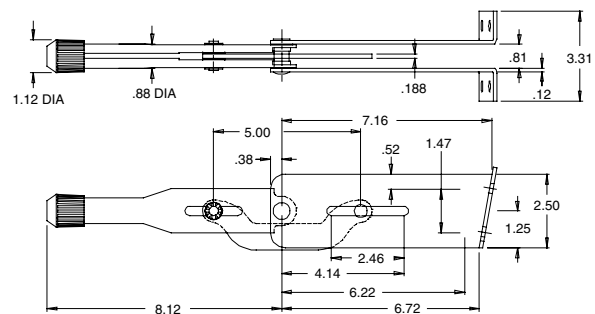


## Flange Mount 165-508-078

2.5 inches (64mm) wide side plates; two cables. For bulk-head, floor or island (doghouse) installation. NOTE: When considering load requirements, the load on the lever assembly will be the sum of the load in each cable. Wing flange mounting.

**Kit B835** — supplied with the following hardware:

- Clevis pins (2)
- Cotter pins (2)
- Washers (2)
- Mounting spacers (2)
- Cable clamps



**Distributed by:**

**Cablecraft**<sup>®</sup>  
Motion Controls

2110 Summit Street  
New Haven, Indiana USA 46774  
Tel 260 749-5105 Fax 260 749-5677

4401 South Orchard Street  
Tacoma, Washington USA 98466  
Tel 253 475-1080 Fax 253 474-1623

[www.cablecraft.com](http://www.cablecraft.com)

2789 Old Belleville Road  
St. Matthews, South Carolina USA 29135  
Tel 803 655-7300 Fax 803 874-3558

Diplocks Way-South Road  
Hailsham, E. Sussex BN27 3JF, England  
Tel (011-44) 1323-841510 Fax (011-44) 1323-845848

**Warning:** Since the manufacturer is unable to determine all applications in which a part may be placed, it is the user's responsibility to determine the suitability of the part for its intended use. This is especially true where safety is a factor. Incorrect application or installation may result in property damage, bodily injury, or death. For technical assistance, call 260-749-5105.