

SSPM/SSPF

Stainless Steel, Molded Race, Self-Lubricating



Rod Ends Industrial/ Commercial

Suitable for most industrial/mechanical motion transfer applications. This stainless steel version of Cablecraft's most popular rod end series, the SSPM/SSPF Series offers an injection-molded, reinforced nylon race design. It delivers low maintenance, self-lubricating characteristics, as well as moisture-resistance properties adding to its overall versatility. Ball, body and stud materials are produced from stainless steel for extended corrosion resistance. Suited for applications requiring corrosion resistance, low friction, low moisture absorption, high wear resistance and/or wide operating temperature ranges. Studded and right or left-handed thread versions are available.

The SSPM/SSPF Series is just one of many within our broad line of industrial/commercial rod ends. For full product line detail, contact us for a comprehensive catalog or visit www.cablecraft.com and download individual product data sheets and other product information.



Description:

SSPM/SSPF
Industrial/Commercial Rod Ends
Stainless Steel, Molded Race,
Self-Lubricating

Applications:

Numerous mechanical motion transfer devices/applications, including:

- Marine
- Construction equipment
- Recreational vehicles (ATV's, golf carts, etc.)
- Truck/off highway

Features:

- Stainless steel construction for extra corrosion protection
- Nylon molded race delivers self-lubricating low friction and moisture-resistant performance
- Good wear resistance
- Design allows for control of breakaway torque, adding to its application versatility
- Can be used in a wide range of temperatures: -30°F — 220°F (-34°C — 104°C)
- Offered in studded and right or left-handed versions
- Custom assemblies can be built to your specifications
- Meets SAE spec J1120

SSPM/SSPF

Stainless Steel,
Molded Race,
Self-Lubricating

Material

Ball

- Stainless Steel

Body

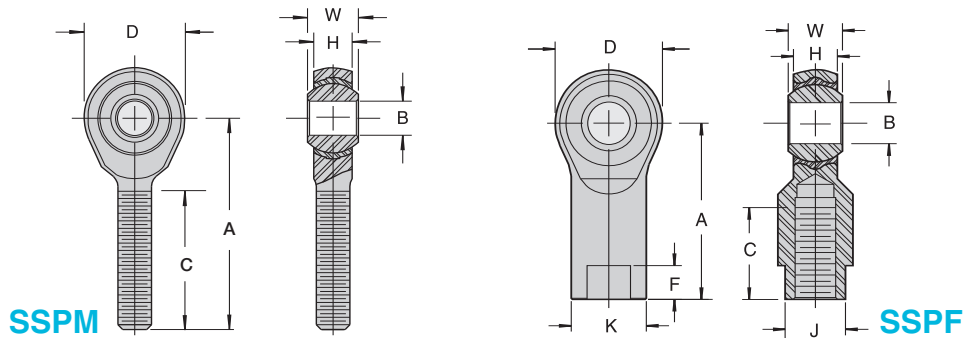
- Stainless Steel

Race

- Molded Self-Lubricating Reinforced Nylon

Stud (optional)

- Stainless Steel



SSPM Male Chart

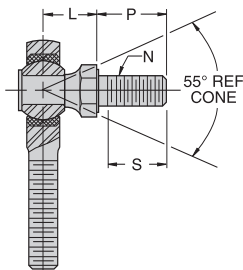
Part Number		B +.0020 -.0000	W ±.005	H REF	A ±.015	D ±.015	C REF	C ±.060	UNF-2A	Ultimate Radial Static Load Capacity (Pounds)	Weight (Pounds)
Right Hand	Left Hand	Ball Bore	Ball Width	Housing Width	Centerline Length	Head Diameter	Ball Diameter	Thread Length	Thread Size		
SSPM3	SSPML3	.1900	.312	.250	1.250	.625	.438	.750	10-32	1210	.023
SSPM4	SSPML4	.2500	.375	.281	1.562	.750	.516	1.000	1/4-28	2470	.040
SSPM5	SSPML5	.3125	.437	.344	1.875	.875	.625	1.250	5/16-24	2740	.071
SSPM6	SSPML6	.3750	.500	.406	1.937	1.000	.719	1.250	3/8-24	4210	.107
SSPM7	SSPML7	.4375	.562	.437	2.125	1.125	.812	1.312	7/16-20	5350	.148
SSPM8	SSPML8	.5000	.625	.500	2.437	1.312	.938	1.500	1/2-20	6430	.232
SSPM10	SSPML10	.6250	.750	.562	2.625	1.500	1.125	1.625	5/8-18	8300	.364
SSPM12	SSPML12	.7500	.875	.687	2.875	1.750	1.312	1.750	3/4-16	10900	.568

SSPF Female Chart

Part Number		B +.0020 -.0000	W ±.005	H REF	A ±.015	D ±.015	K ±.015	J ±.015	F ±.030	C REF	C ±.060	UNF-2B	Ultimate Radial Static Load Capacity (Pounds)	Weight (Pounds)
Right Hand	Left Hand	Ball Bore	Ball Width	Housing Width	Centerline Length	Head Diameter	Shank Diameter	Wrench Flat Width	Wrench Flat Length	Ball Diameter	Thread Length	Thread Size		
SSPF3	SSPFL3	.1900	.312	.250	1.062	.625	.406	.312	.406	.438	.562	10-32	1210	.036
SSPF4	SSPFL4	.2500	.375	.281	1.312	.750	.469	.375	.281	.516	.750	1/4-28	2470	.059
SSPF5	SSPFL5	.3125	.437	.344	1.375	.875	.500	.437	.281	.625	.750	5/16-24	2740	.077
SSPF6	SSPFL6	.3750	.500	.406	1.625	1.000	.687	.562	.312	.719	.937	3/8-24	4100	.146
SSPF7	SSPFL7	.4375	.562	.437	1.812	1.125	.750	.625	.625	.812	1.031	7/16-20	5350	.192
SSPF8	SSPFL8	.5000	.625	.500	2.125	1.312	.875	.750	.375	.938	1.187	1/2-20	6430	.313
SSPF10	SSPFL10	.6250	.750	.562	2.500	1.500	1.000	.875	.500	1.125	1.500	5/8-18	8300	.464
SSPF12	SSPFL12	.7500	.875	.687	2.875	1.750	1.125	1.000	1.000	1.312	1.562	3/4-16	10900	.672

Chart Notes: This series is also available in a studded configuration. Specify by adding "S" to suffix. Example: SSPF8S

Studded Dimensions



Rod End Bore Size	L REF	P ±.030	S Min. Thread Length	N Thread Size UNF-2A
3/16"	.437	.438	.375	10-32
1/4"	.469	.563	.500	1/4-28
5/16"	.531	.688	.594	5/16-24
3/8"	.625	.875	.781	3/8-24
7/16"	.844	1.062	.937	7/16-20
1/2"	.875	1.125	1.000	1/2-20
5/8"	1.000	1.125	1.000	5/8-18
3/4"	1.187	1.812	1.625	3/4-16

WARNING!

Since the manufacturer is unable to determine all applications in which a part may be placed, it is the user's responsibility to determine the suitability of the part for its intended use. This is especially true where safety is a factor. Incorrect application or installation may result in property damage, bodily injury, or death. For technical assistance, call 260-749-5105.

Cablecraft
Cablecraft Motion Controls

2110 Summit Street
New Haven, Indiana USA 46774
Tel 260 749-5105 Fax 260 749-5677

4401 South Orchard Street
Tacoma, Washington 98411 USA
Tel 253 475-1080 Fax 253 474-1623

Diplocks Way-South Road
Hailsham, East Sussex BN27 3JF, England
Tel 44 1323 841510 Fax 44 1323 845848

www.cablecraft.com

Linking Motion
& Control...
The Cablecraft
Solution

