

R-G

Steel Housing, Staked Design
with Rubber Grommet



Ball Joints

The Cablecraft R-G Series (SAE J490/Type G/Style 2) offers a widely used and economic metal to metal ball joint design. Ball stud and body are produced from low carbon steel and the ball stud is heat treated. All parts are zinc plated and treated with a clear dichromate for corrosion resistance and consistent appearance. The precision heat treated ball is inserted into the shell and a precise crimping process retains the ball while providing sufficient movement of the ball stud without excessive play. A rubber grommet seal provides for durable contaminant protection. Right and left-handed threads (for metric sizes — consult factory) are available in a variety of configurations.

The R-G Series is just one of many within our broad line of ball joints. For full product line detail, contact us for a comprehensive catalog or visit www.cablecraft.com and download individual product data sheets and other product information.



Description:

R-G Series Ball Joints
Steel Housing, Staked Design
with Rubber Grommet

Applications:

- Various integral ball joint applications, including:
- Lawn and garden equipment
 - Construction
 - Industrial equipment

Features:

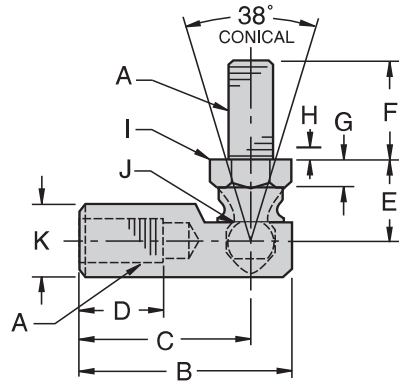
- Steel body and ball stud "staked" design offers an economical solution to medium to heavy-duty ball joint applications
- Ball stud is case hardened for extended wear life
- Rubber grommet provides a durable seal against contaminants
- Can be used in a wide range of temperatures:
-30°F — 250°F
(-34°C — 121°C)
- Custom sizes and assemblies can be built to your specifications, including:
 - male to male or female to female
 - right or left-handed threads
- Many metric sizes available — consult factory
- Meets SAE specification J490 (Type G/Style 2)

Other Related Products:

- SR-G Hardened Steel Housing, Retaining Ring with Rubber Grommet
- S/SS/SC Quick Disconnect with Spring or Spring Clip

R-G

Steel Housing, Staked Design
with Rubber Grommet



Material

Ball Stud

- Low Carbon Steel, Case Hardened for Extended Wear Life
- Zinc Plated, Clear Dichromate Treated

Body

- Low Carbon Steel
- Zinc Plated, Clear Dichromate Treated

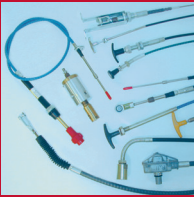
R-G CHART

Part Number	A	B	C	D	E	F	G	H	I	J	K	W.F. Width	W.F. Length	Tensile & Shear Strength (Pounds)	Force to Remove Ball Stud (Pounds)	
Right Hand	Left Hand	UNF	±.020	±.020	MIN	±.020	±.020	REF	REF	REF	REF	REF	REF			
R103G	R103GLH	10-32	1.156	.875	.469	.359	.438	.094	.062	.312	.177	.375	.312	.250	295	690
R107G	R107GLH	1/4-28	1.219	.969	.500	.469	.562	.125	.094	.375	.193	.437	.375	.281	882	1,005
R108G	R108GLH	5/16-24	1.406	1.125	.562	.531	.687	.156	.094	.437	.232	.500	.437	.281	1,587	1,282
R109G	R109GLH	3/8-24	1.687	1.375	.750	.687	.875	.187	.094	.500	.287	.625	.500	.312	2,437	1,700
R110G	R110GLH	7/16-20	2.375	1.937	1.125	.875	1.125	.250	.125	.625	.412	.750	.625	.375	3,390	2,700
R111G	R111GLH	1/2-20	2.375	1.937	1.125	.875	1.125	.250	.125	.625	.412	.750	.625	.375	3,390	2,700

Chart Notes: 1. Ball Joint can be ordered without the grommet by dropping the "G" suffix. Example: R108LH
2. R103G size is supplied with a wrap around grommet, not shown.

Linking Motion
& Control...

The Cablecraft
Solution



WARNING!

Since the manufacturer is unable to determine all applications in which a part may be placed, it is the user's responsibility to determine the suitability of the part for its intended use. This is especially true where safety is a factor. Incorrect application or installation may result in property damage, bodily injury, or death. For technical assistance, call 260-749-5105.

Cablecraft®
Cablecraft Motion Controls

2110 Summit Street
New Haven, Indiana USA 46774
Tel 260 749-5105 Fax 260 749-5677

4401 South Orchard Street
Tacoma, Washington 98411 USA
Tel 253 475-1080 Fax 253 474-1623

Diplocks Way-South Road
Hailsham, East Sussex BN27 3JF, England
Tel 44 1323 841510 Fax 44 1323 845848

www.cablecraft.com